



FORCONE 110 T OMARS RECOVERY

OMARS S.p.A.

Via Genova, 61

I - 12100 CUNEO (Italy)

Tel. (+39) 0171 402191 - Fax 402813

www.omarsspa.it

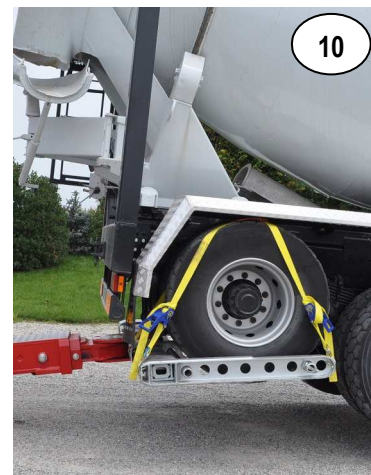
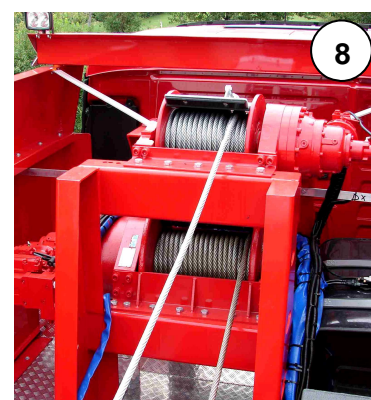
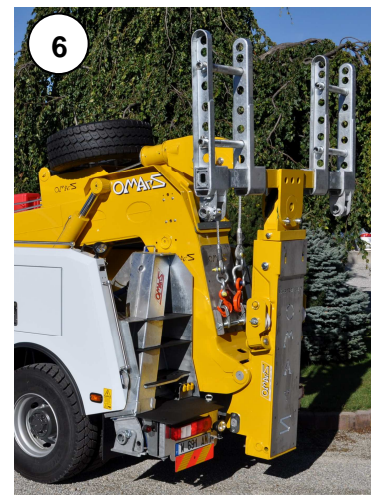
e-mail: omarsspa@omarsspa.it





FORCONE 110 T OMARS RECOVERY

OMARS S.p.A.
Via Genova, 61
I - 12100 CUNEO (Italy)
Tel. (+39) 0171 402191 - Fax 402813
www.omarsspa.it
e-mail: omarsspa@omarsspa.it





FORCONE 110 T OMARS RECOVERY

OMARS S.p.A.

Via Genova, 61

I - 12100 CUNEO (Italy)

Tel. (+39) 0171 402191 - Fax 402813

www.omarsspa.it

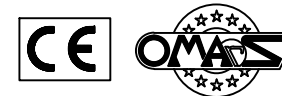
e-mail: omarsspa@omarsspa.it



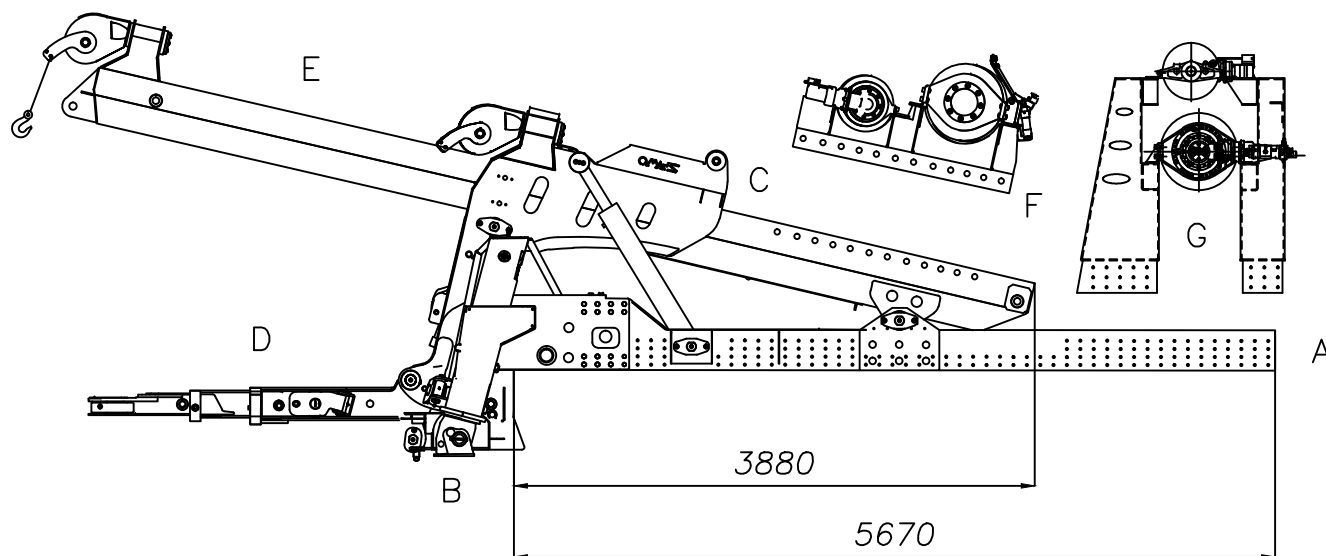
Type: FORCONE 110 T OMARS RECOVERY

2015

438-051



5



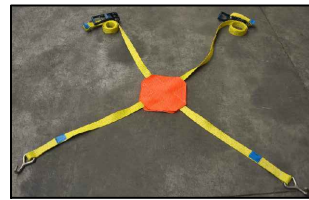
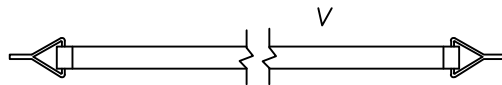
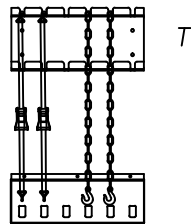
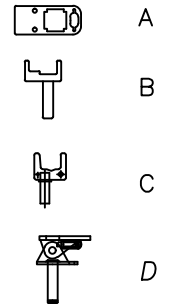
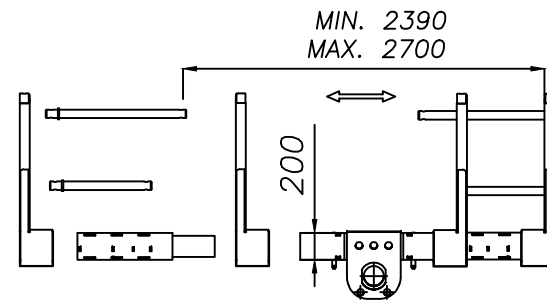
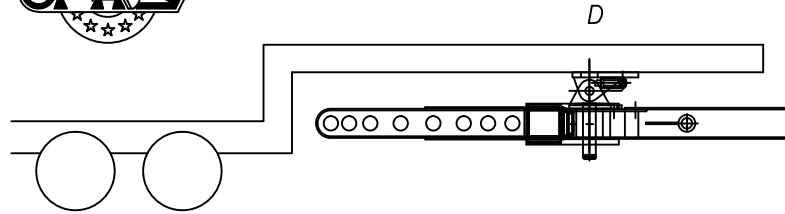
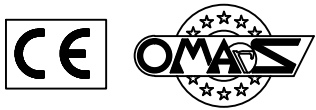
1

I dati sono indicativi e non impegnano la casa costruttrice

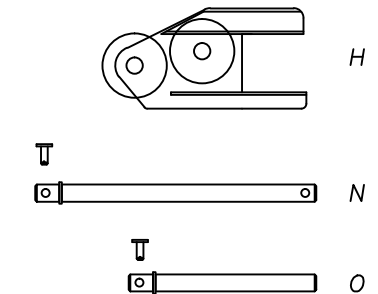
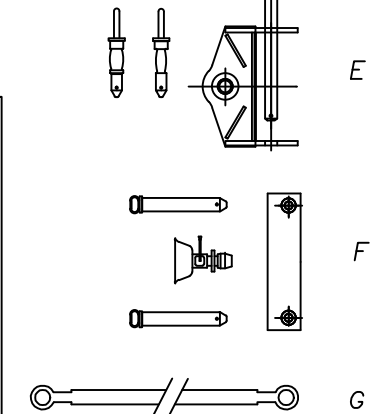
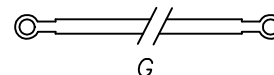
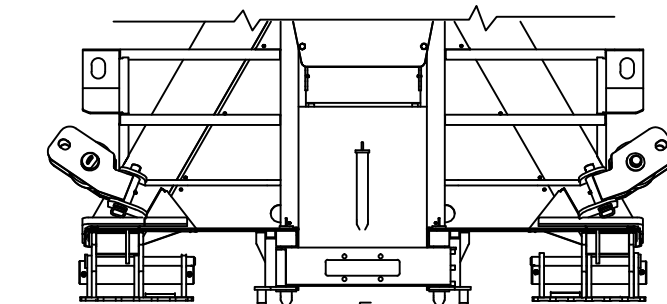
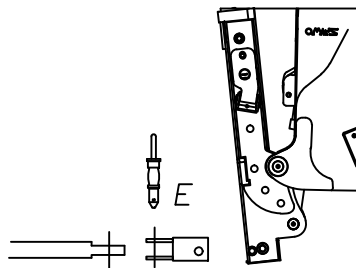
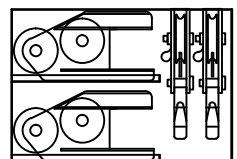
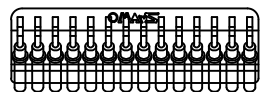
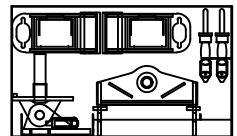
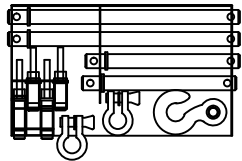
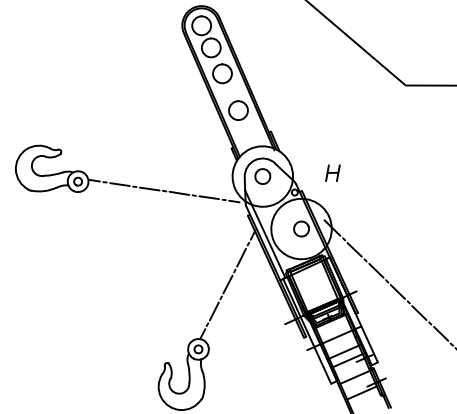
Type: FORCONE 110 T OMARS RECOVERY

2015

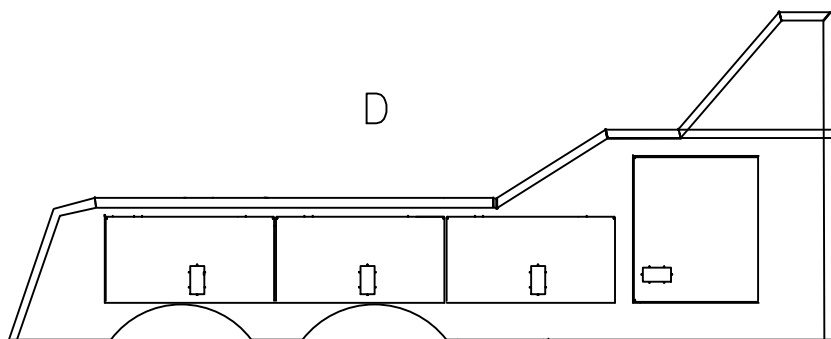
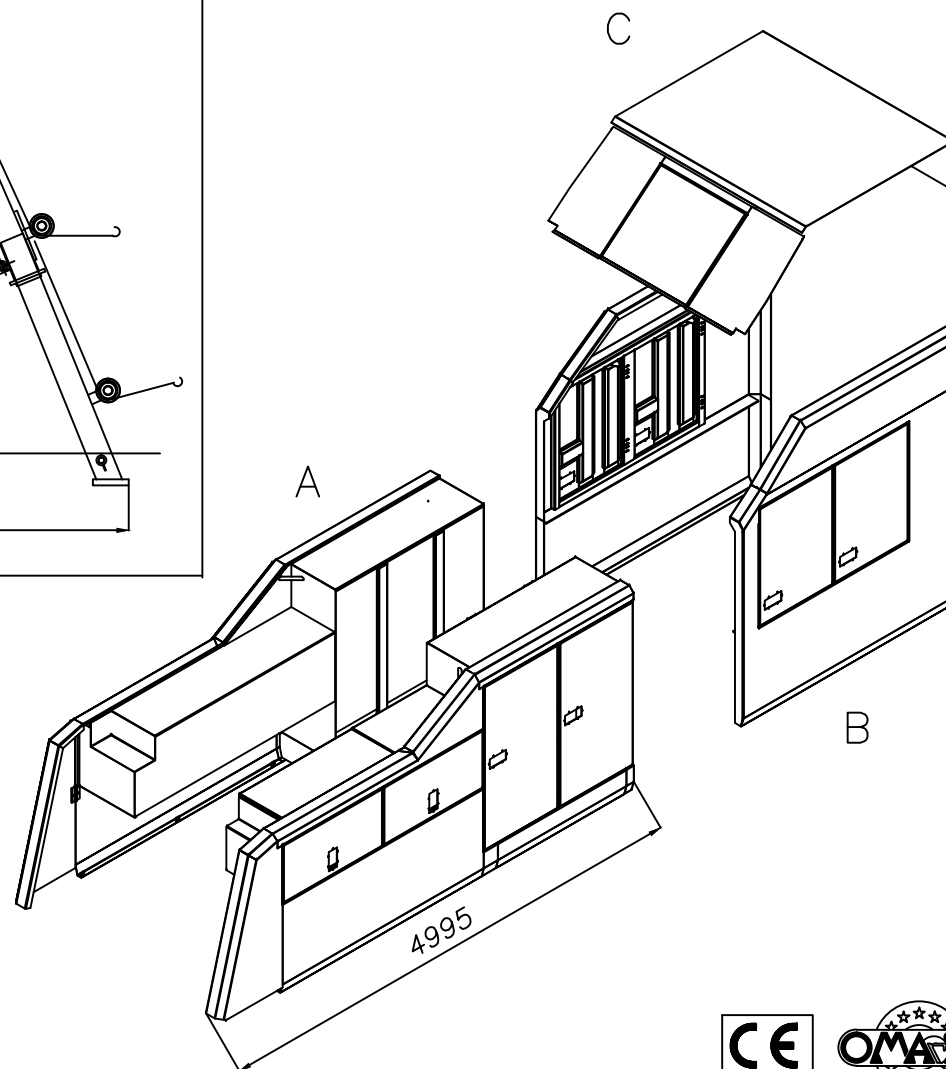
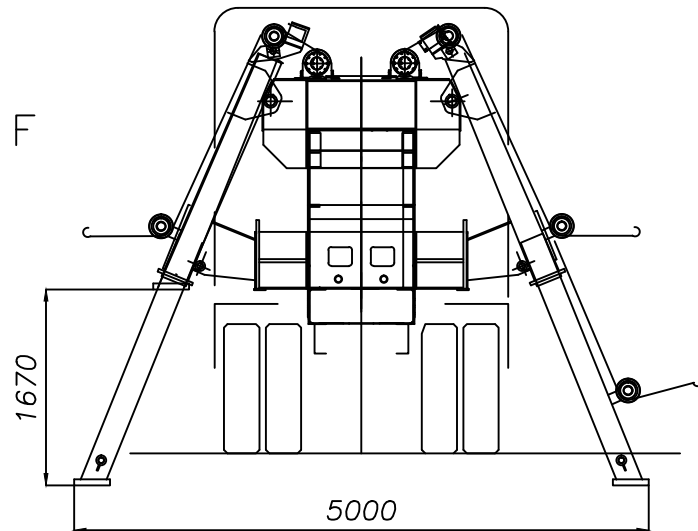
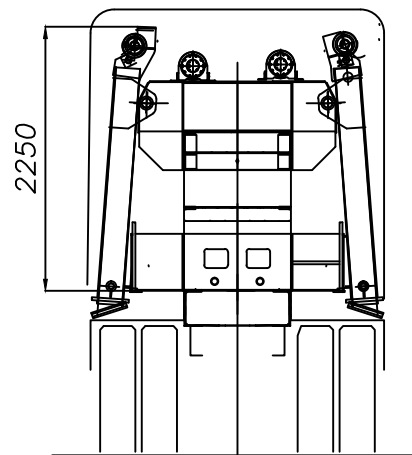
438-051A

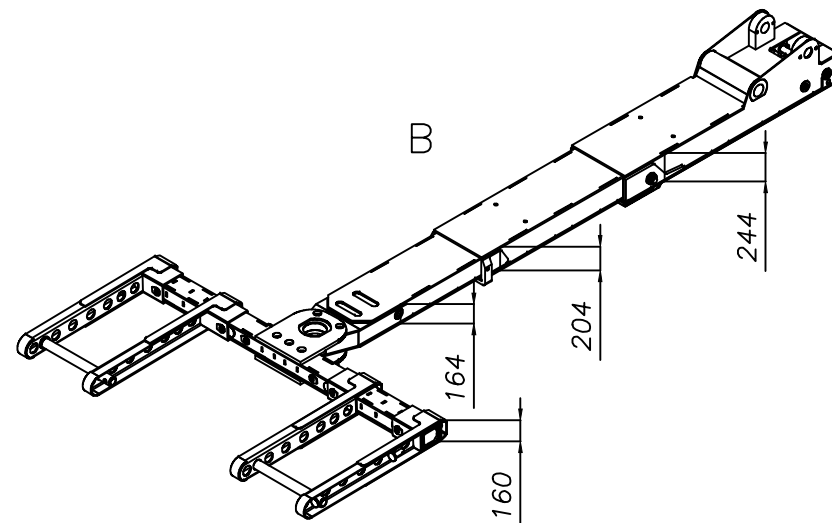
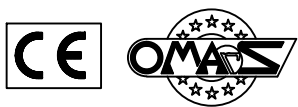


P

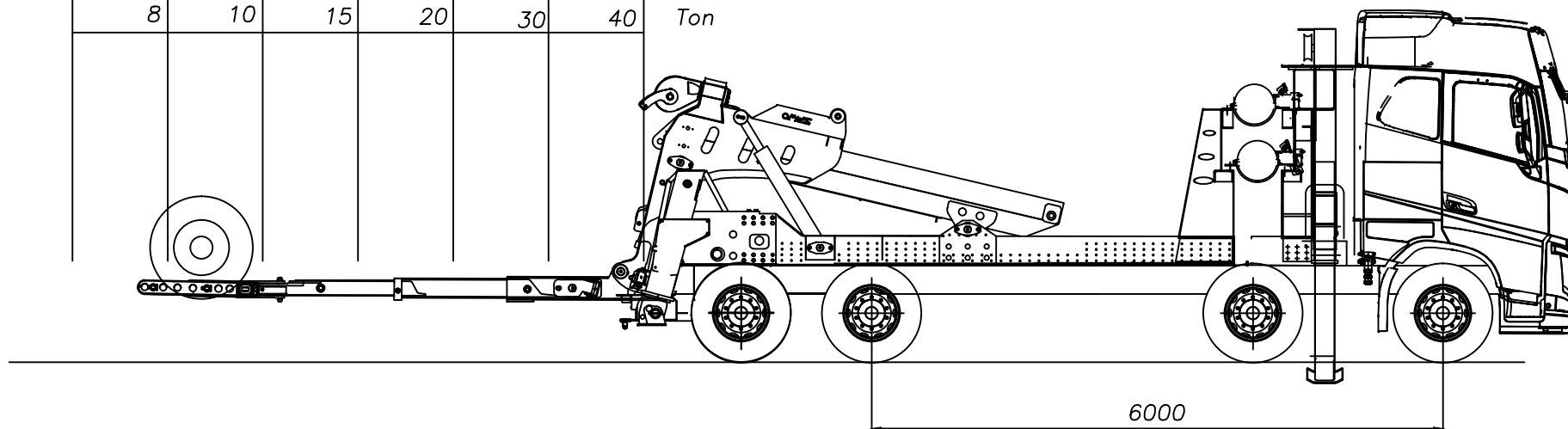


2





5	4	3	2	1	0	m
16,5	13,2	9,9	6,6	3,3	0	Piedi USA
8	10	15	20	30	40	Ton



Type: FORCONE 110 T OMARS RECOVERY

2015

438-051D

