



PIANALE OMARS 2000 110.25

OMARS S.p.A.

Via Genova, 61

I - 12100 CUNEO (Italy)

Tel. (+39) 0171 402191 - Fax 402813

www.omarsspa.it

e-mail: omarsspa@omarsspa.it

1



2



3





PIANALE OMARS 2000 110.25

OMARS S.p.A.

Via Genova, 61

I - 12100 CUNEO (Italy)

Tel. (+39) 0171 402191 - Fax 402813

www.omarsspa.it

e-mail: omarsspa@omarsspa.it

4



5



6





PIANALE OMARS 2000 110.25

OMARS S.p.A.

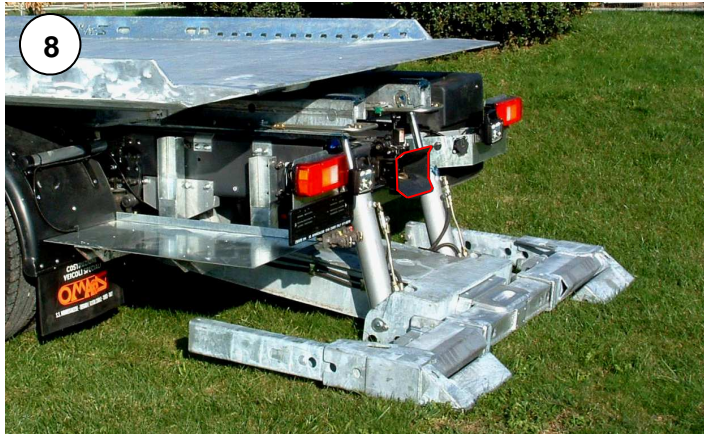
Via Genova, 61

I - 12100 CUNEO (Italy)

Tel. (+39) 0171 402191 - Fax 402813

www.omarsspa.it

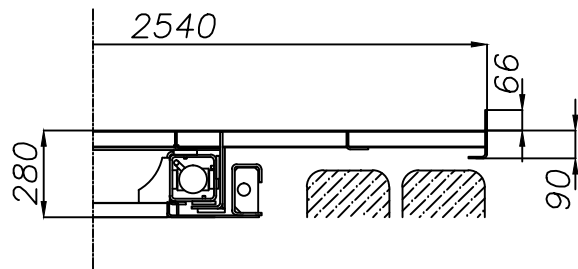
e-mail: omarsspa@omarsspa.it



Type: PIANALE 2000 110.25

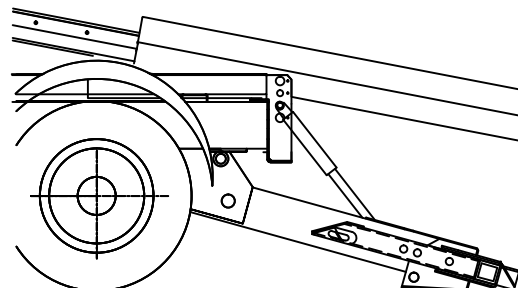
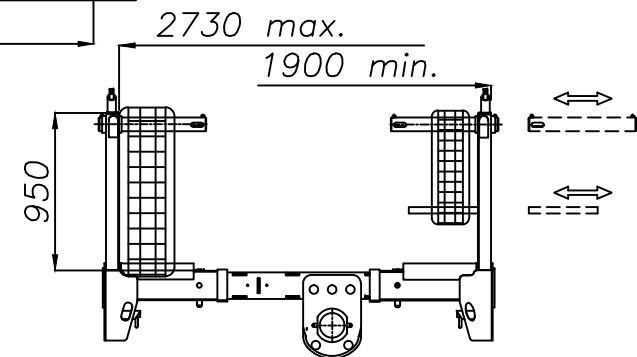
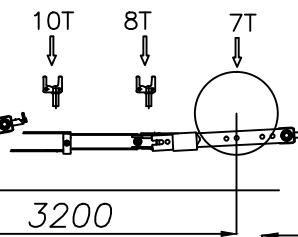
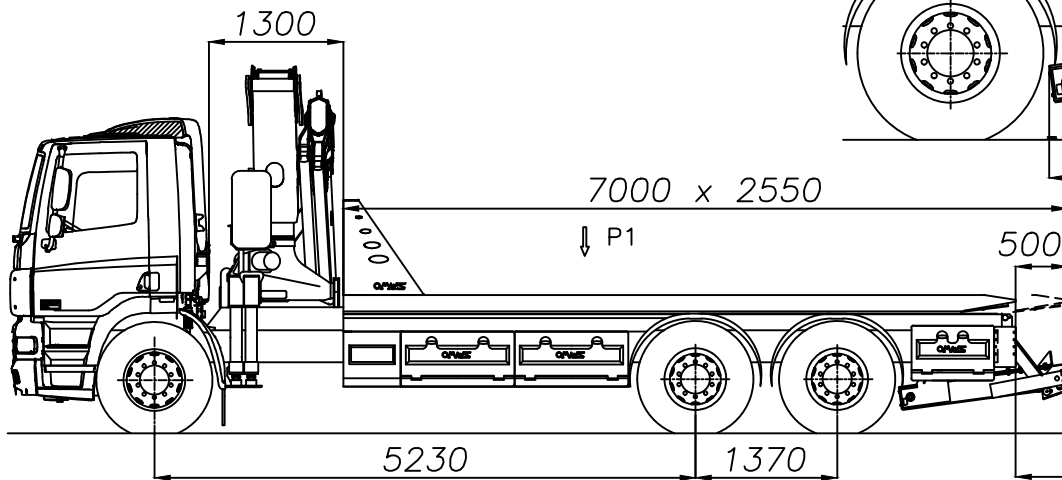
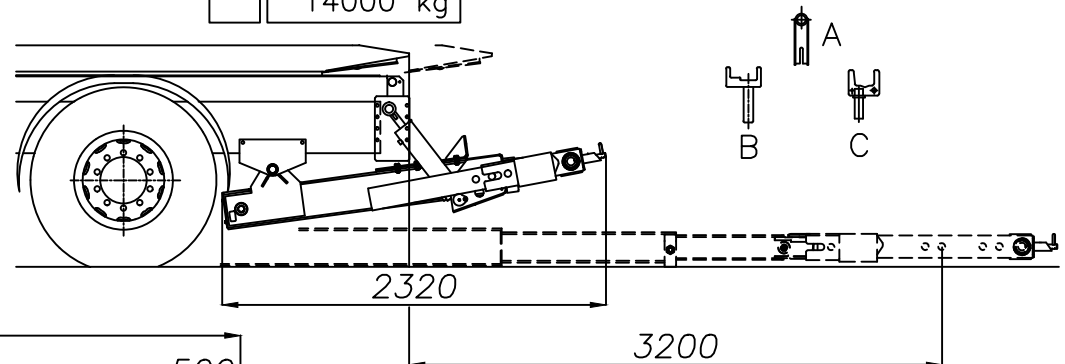
2015

438-011



| | | | | |
|---|------|------|------|------|
| A | 6500 | 7000 | 7500 | 8000 |
| B | 2550 | 2550 | 2550 | 2550 |

| | |
|----|----------|
| P1 | 8000 kg |
| | 11000 kg |
| | 14000 kg |



I dati sono indicativi e non impegnano la casa costruttrice

PEDANA